

Tabletop Heat Lamp  
Focus LPF / Clamp Base / Double



STAYHOT

# Tabletop Heat Lamp

## Focus LPF



### Colours



Black



Cement Grey



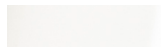
Aluminium



Copper



Brass

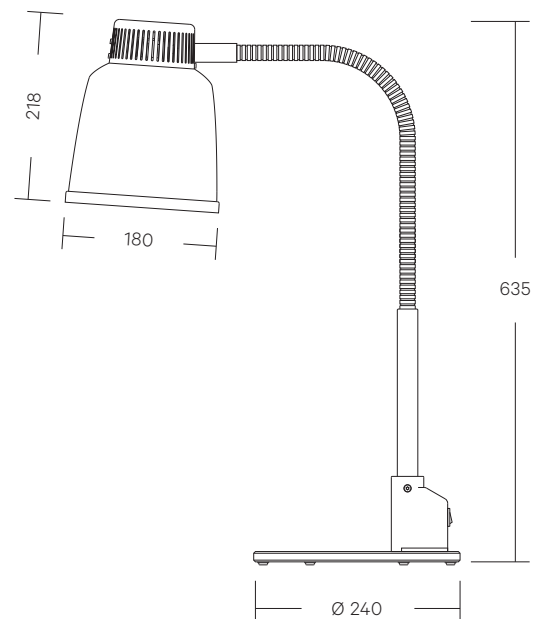


White

### Tabletop Heat Lamp Focus LPF

Tabletop Heat Lamp Focus LPF offers an elegant and flexible food warming alternative to the buffet table. Designed, developed and manufactured by Stayhot in Sollentuna.

Height	635 mm
Shade	Ø 180 / H 218 mm
Base	Ø 240 / H 12 mm
Material	Anodised aluminium
Power / Voltage	230 V / 250 W
Heat Source	Philips infrared lamp, 2700K



# Tabletop Heat Lamp

## Focus LPF Clamp Base



### Colours



Black



Cement Grey



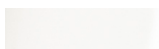
Aluminium



Copper



Brass

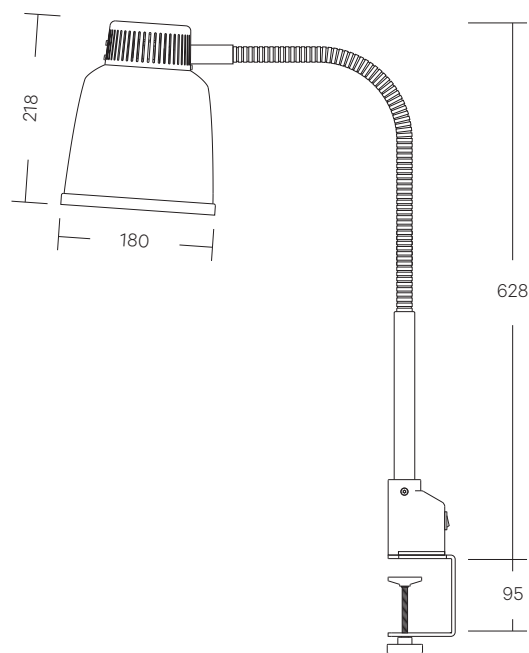


White

### Tabletop Heat Lamp Focus LPF Clamp Base

This Tabletop Heat Lamp Focus LPF with a clamp base for table mounting is perfect when space is scarce. Designed, developed and manufactured by us in Sollentuna.

Height	628 mm
Shade	Ø 180 / H 218 mm
Table Clamp	95 x 60 x 78 mm
Material	Anodised aluminium
Power / Voltage	230 V / 250 W
Heat Source	Philips infrared lamp, 2700K



# Tabletop Heat Lamp

## Focus LPF Double



### Colours



Black



Cement Grey

### Tabletop Heat Lamp Focus LPF Double

Tabletop Heat Lamp Focus LPF Double offers an elegant and flexible food warming alternative to the buffet table. Designed, developed and manufactured by Stayhot in Sollentuna.

Height	635 mm
Shade	Ø 180 / H 218 mm
Base	Ø 240 / H 12 mm
Material	Anodiserad aluminium
Power / Voltage	230 V / 250 W
Heat Source	2 x Philips infrared lamp, 2700K

